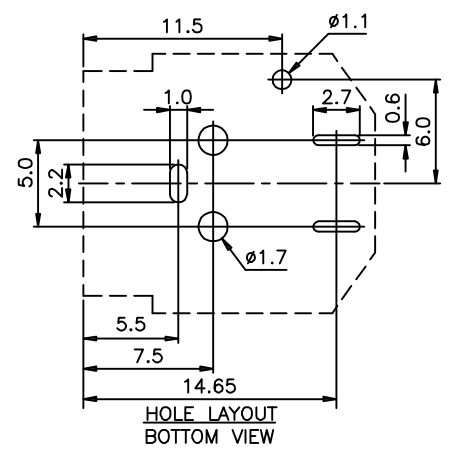
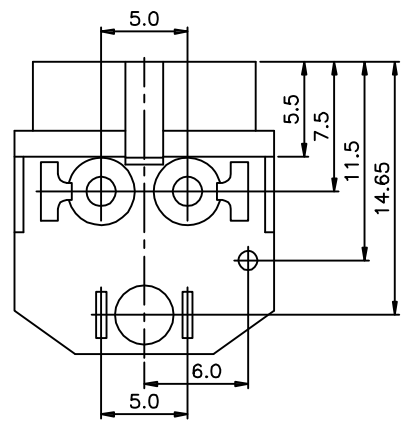
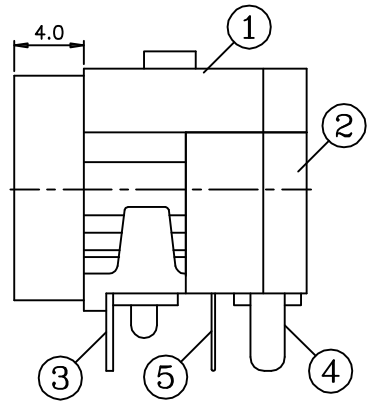
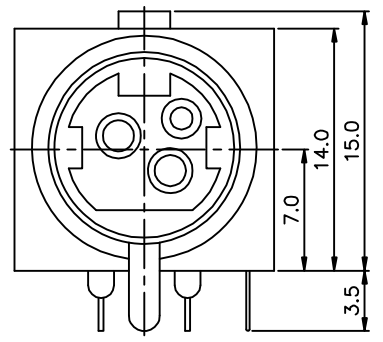
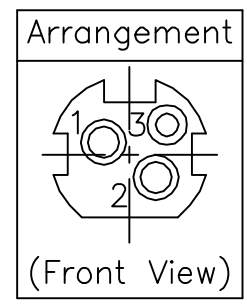
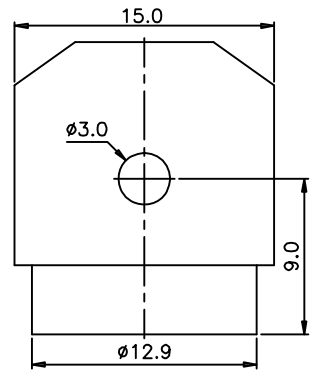


REV.	Description	Date
	upgrade drawing	2016/10/7
1	rate voltage revise	2017/11/30



### Specification

- Current rating: PIN No. A&B: 7.5A max.  
PIN No. C : 1A max.
- Rated voltage: 48V/DC max.
- Dielectric strength: a potential of 250V RMS, 50/60Hz shall be applied between any open contacts, for 1 minute, without breakdown.
- Insulation resistance:  
before any environment test: 50MΩ min. @250VDC  
after any environment test: 5MΩ min. @250VDC
- Contact resistance: before any test  
pin to contactor No. A,B&C: 30mΩ max. @20mA, 1KHz  
after performance life test  
pin to contactor No. A&B: 60mΩ max. @20mA, 1KHz  
pin to contactor No. C: 100mΩ max. @20mA, 1KHz
- Insertion force: 3.5kgs max.  
Withdrawal force: 0.5-2.5Kgs
- Performance test(no load condition)  
sockets shall be subject to 1000 cycles at the rate of 10 to 20 cycles per minute.
- Unless other specified, the tolerance is ±0.2mm

5	C Terminal	PBR-H	Tin ptd.
4	A, B Terminal	BSR-H	Tin ptd.
3	Earth Terminal	BSR-H	Tin ptd.
2	Cover	P.B.T.	
1	Body	P.B.T.	
Item	Description	Material	Treat & Remark

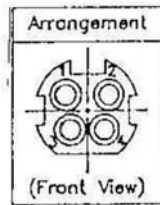
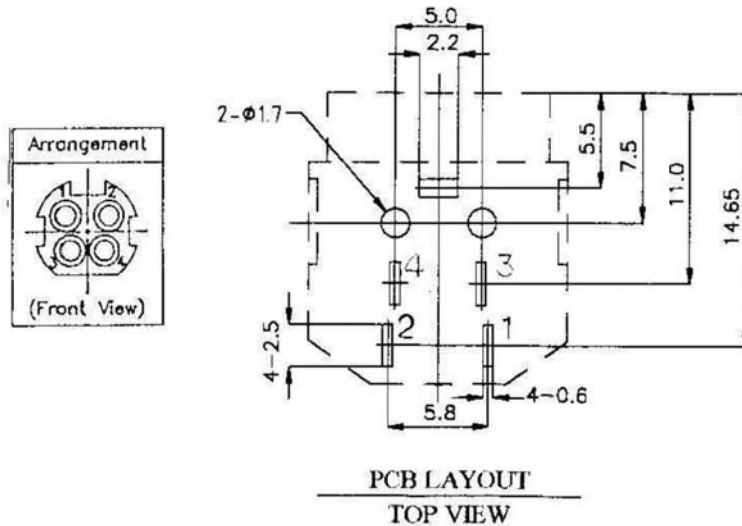
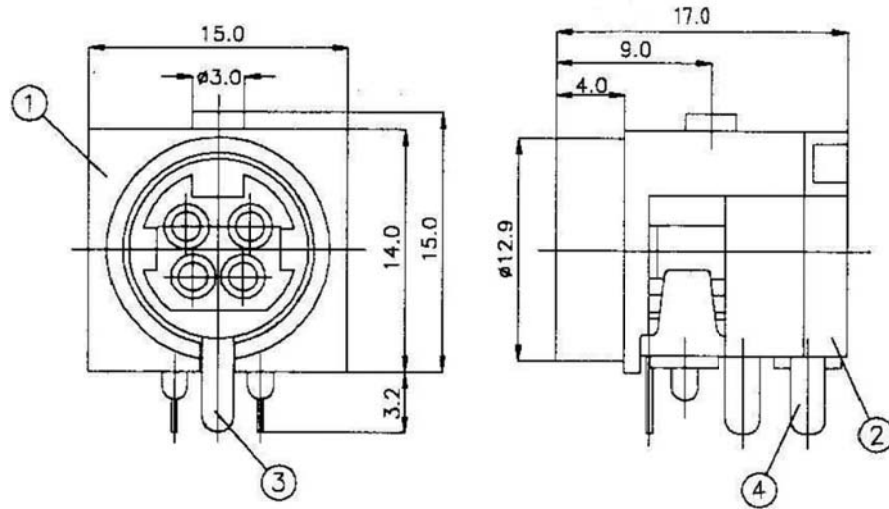
RoHS



**Unicable Co., Ltd. 國陽電業有限公司**  
5F., No. 111-33, Sec. 4, San Ho Road, San Chung City, Taiwan, R.O.C.  
<http://www.unicable.com.tw> TEL:+886-2-2286-2122 FAX:+886-2-2286-1010

DATE	2017/11/30	PART NO.	UT-A001-3S
DWN	GINA	REV.	1
CHK			
ITEM	Circular Power Connector Push Lock Type	UNIT	MM

REV.	Description	Date
	upgrade drawing	2016/10/7
1	rate voltage revise	2017/11/30



### Specification

- Current rating: 7.5A max.
- Rated voltage: 48V/DC max.
- Dielectric strength: a potential of 250V RMS, 50/60Hz shall be applied between any open contacts, for 1 minute, without breakdown.
- Insulation resistance:  
before any environment test: 50MΩ min. @250VDC  
after any environment test: 5MΩ min. @250VDC
- Contact resistance:  
before any test: 30mΩ max. @20mA, 1KHz  
after performance life test: 60mΩ max. @20mA, 1KHz
- Insertion force: 6.0kgs max.  
Withdrawal force: 0.5-6.0Kgs
- Performance test(no load condition)  
sockets shall be subject to 1000 cycles at the rate of 10 to 20 cycles per minute.
- Unless other specified, the tolerance is ±0.2mm

4	Contact Terminal	BSR-H	Tin ptd.
3	Earth Terminal	BSR-H	Tin ptd.
2	Cover	P.B.T.	
1	Body	P.B.T.	
Item	Description	Material	Treat & Remark

RoHS



**Unicable Co., Ltd. 國陽電業有限公司**

5F., No. 111-33, Sec. 4, San Ho Road, San Chung City, Taiwan, R.O.C.  
http://www.unicable.com.tw TEL:+886-2-2286-2122 FAX:+886-2-2286-1010

ITEM

Circular Power Connector Push Lock Type

DATE

2017/11/30

PART NO.

UT-A001-4S

DWN

GINA

REV.

1

CHK

UNIT

MM